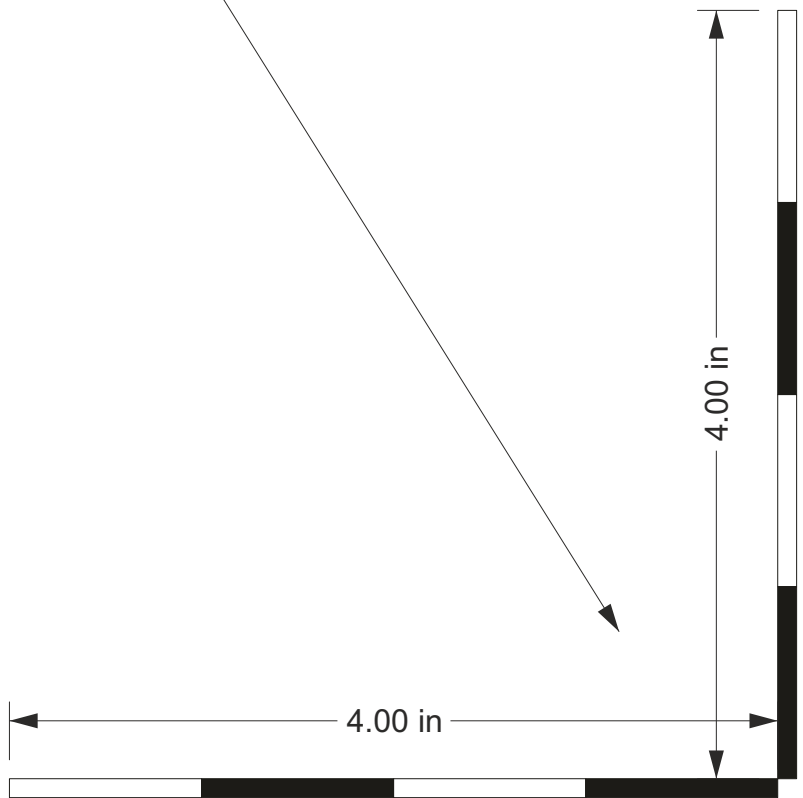
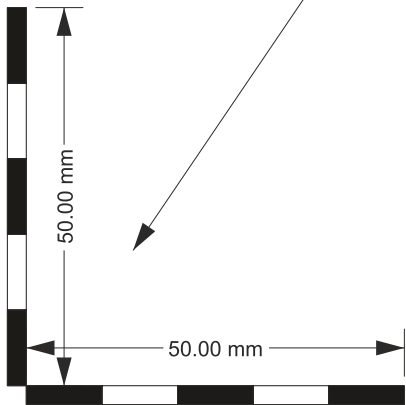


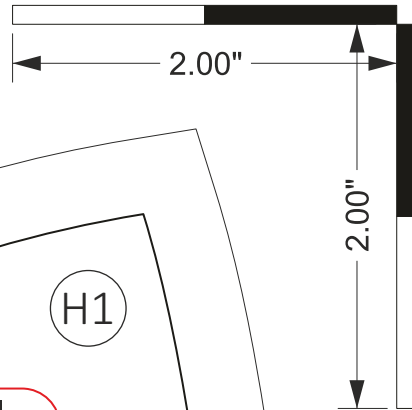
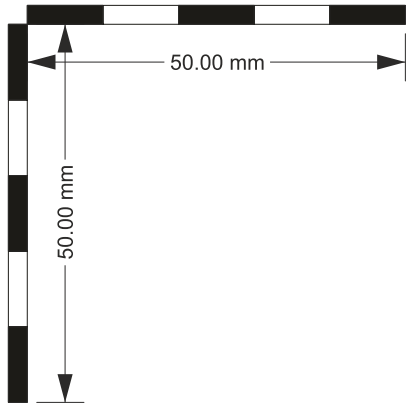
Lazy Lizard
PATTERNS

Test Page
*Make sure these dimensions are correct
before you starting print patterns*



Lazy Lizard

PATTERNS

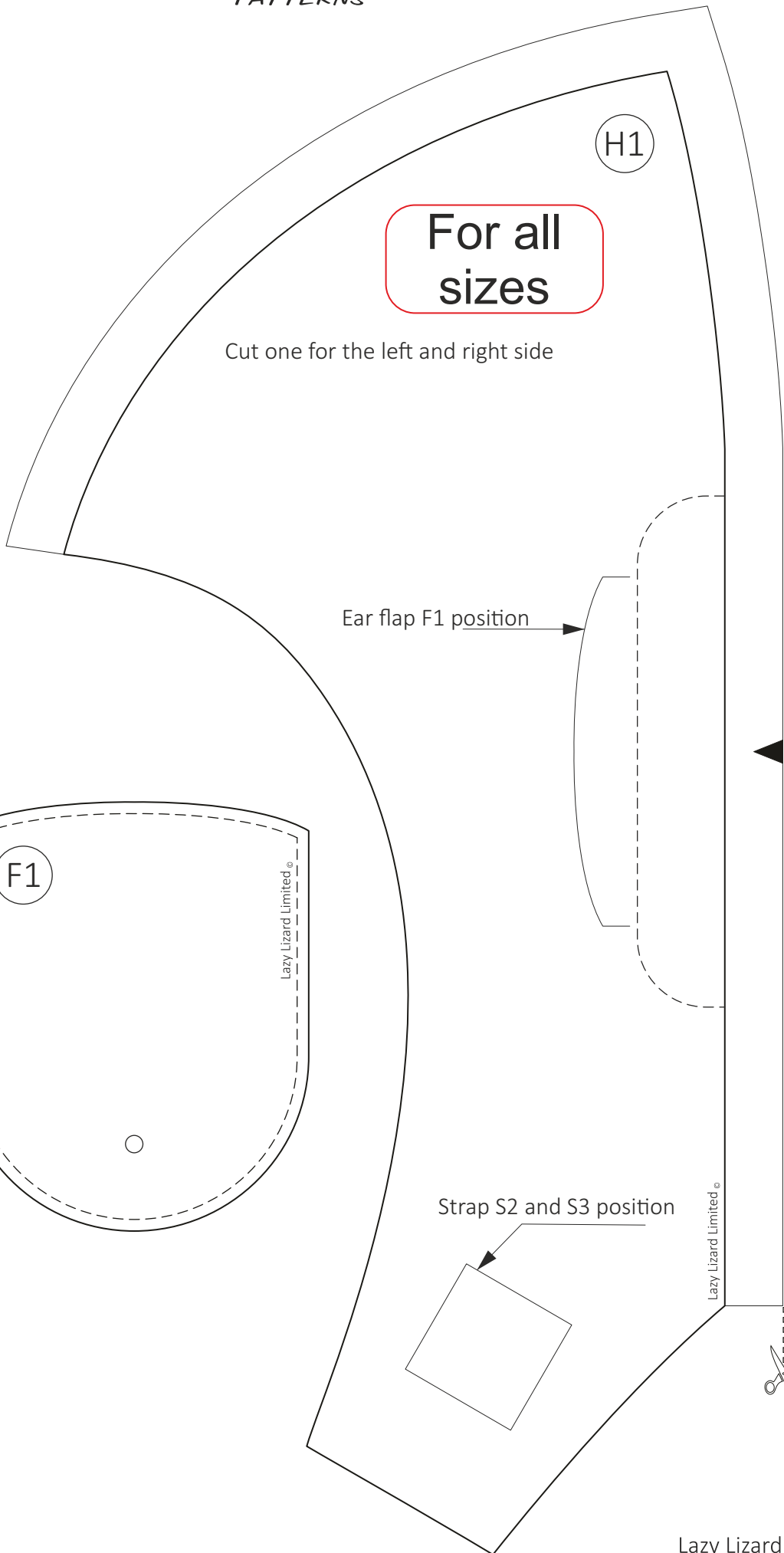
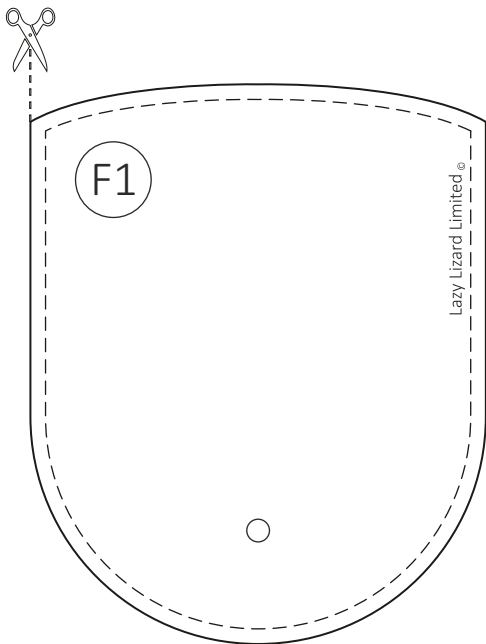
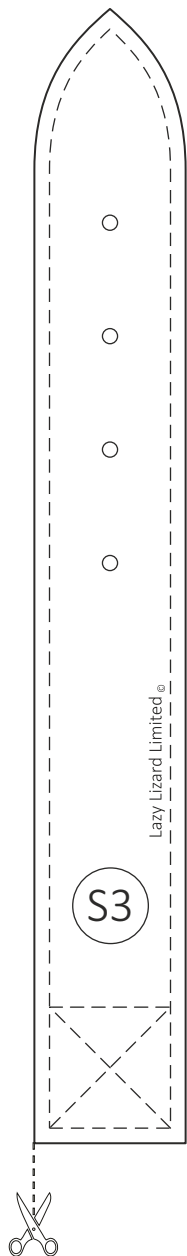


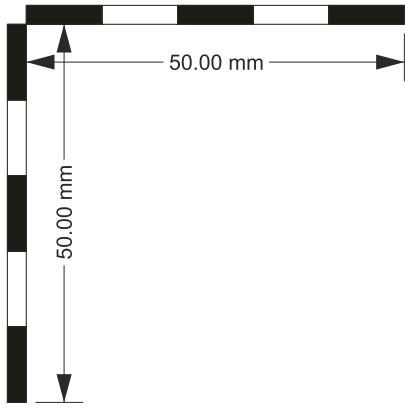
For all sizes

Cut one for the left and right side

Ear flap F1 position

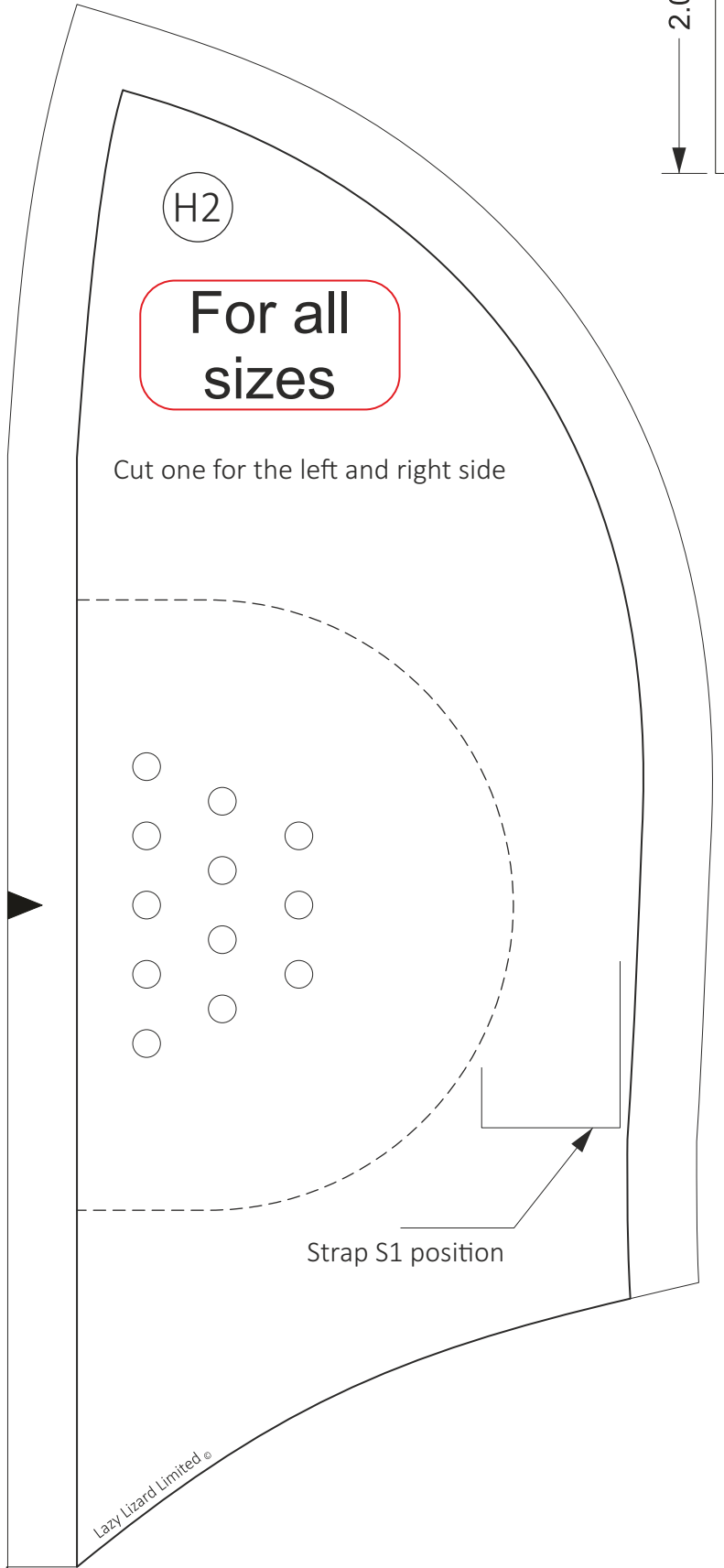
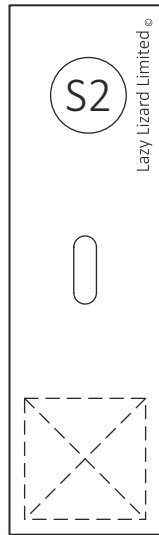
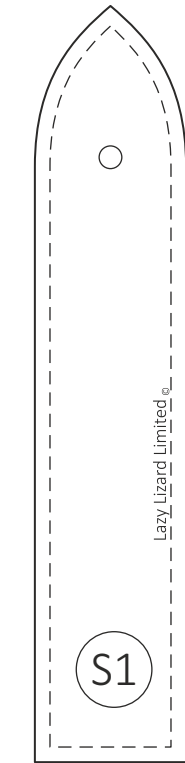
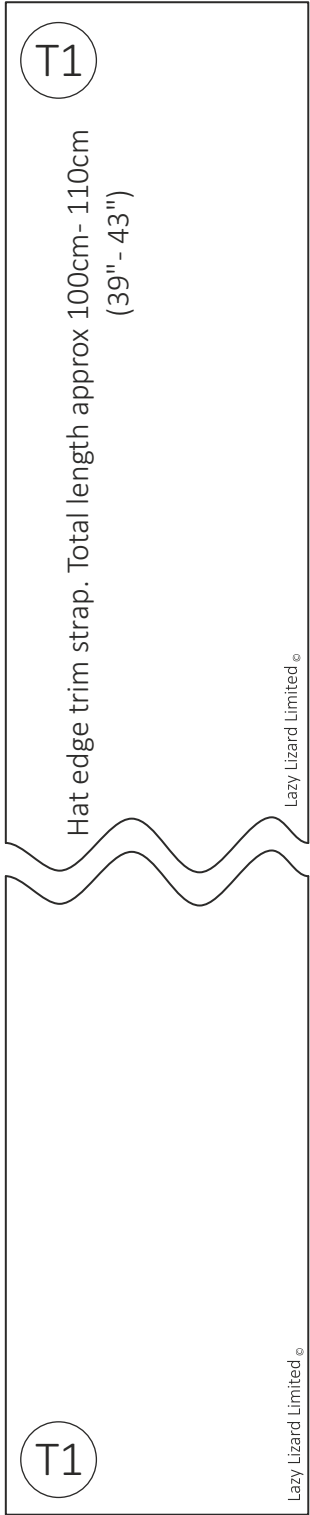
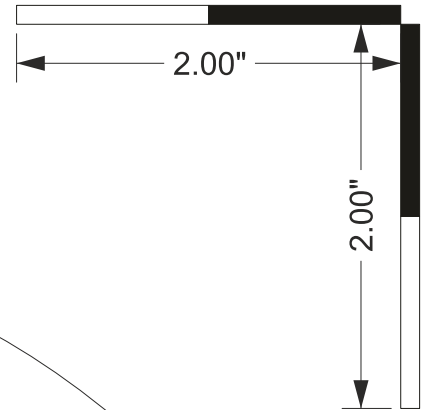
Strap S2 and S3 position





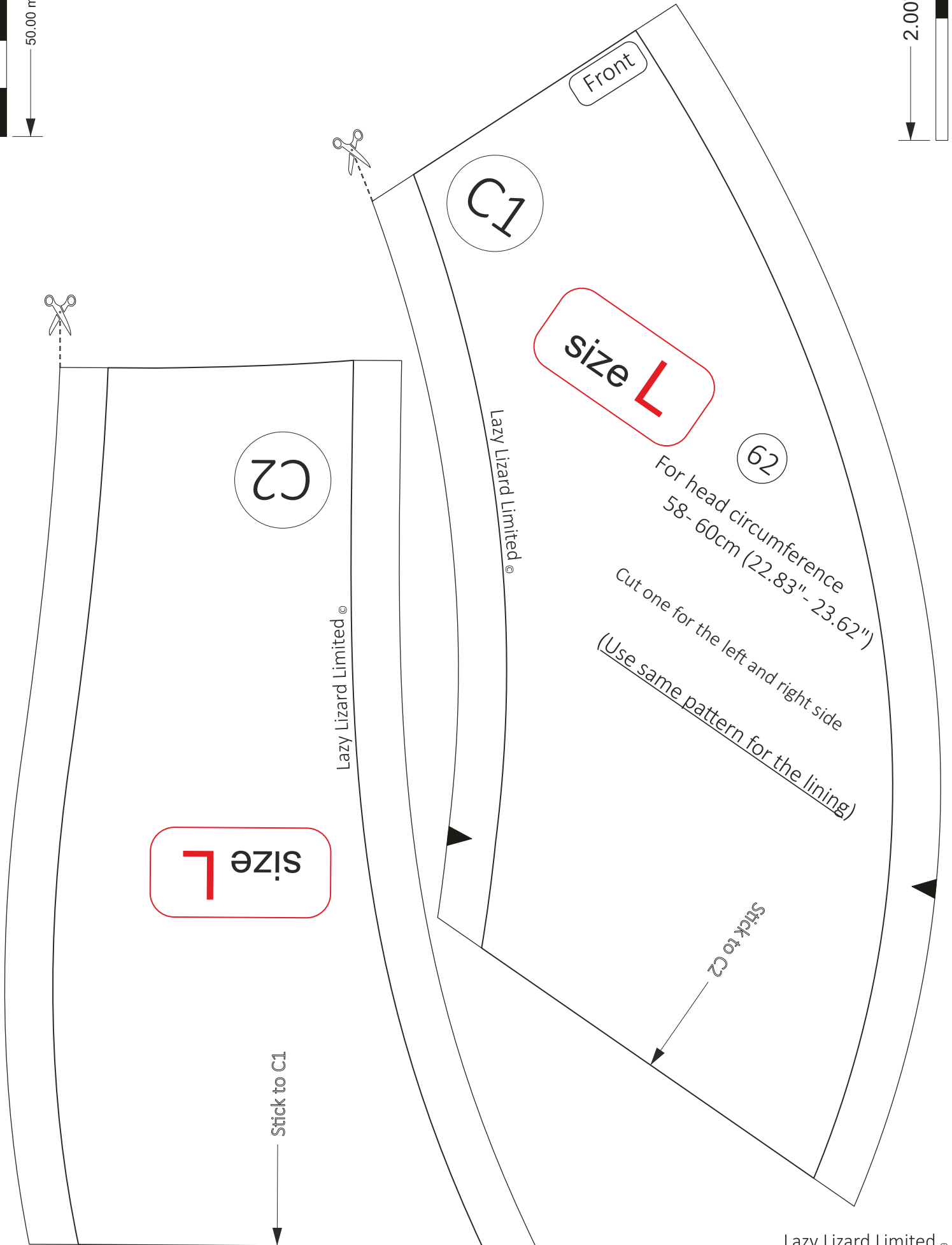
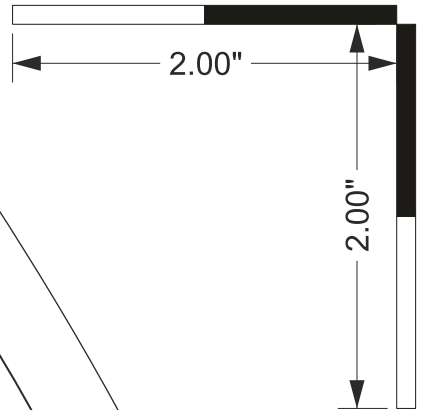
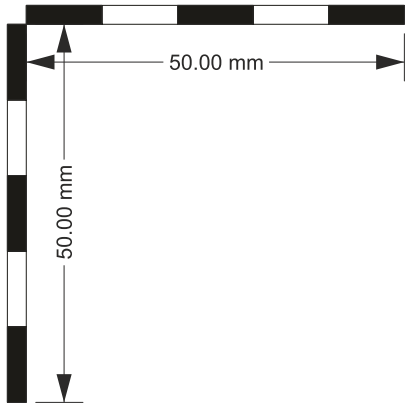
Lazy Lizard

PATTERNS



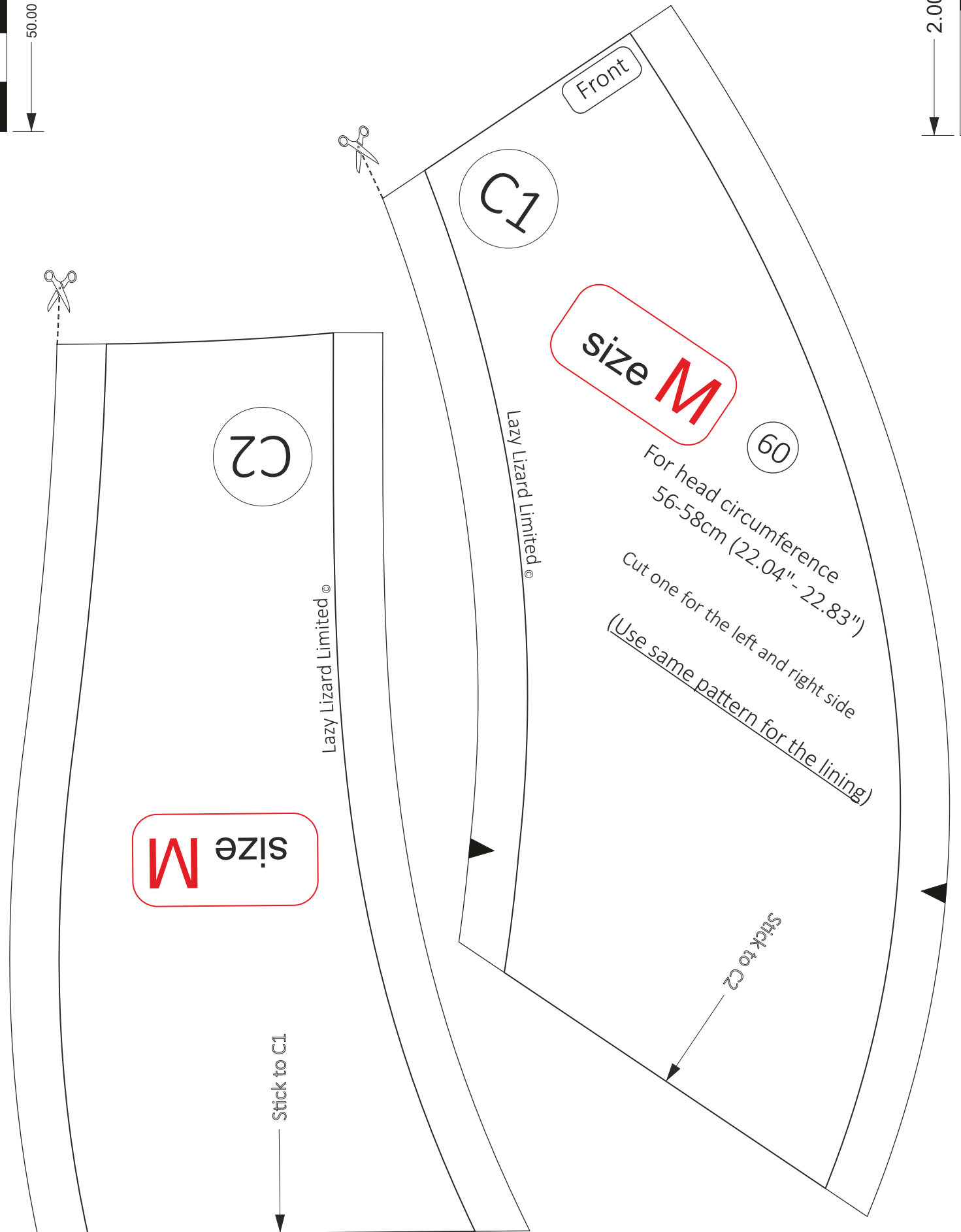
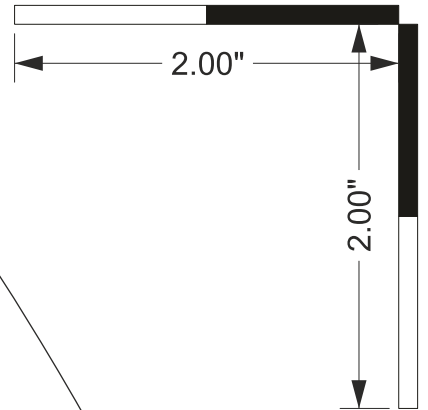
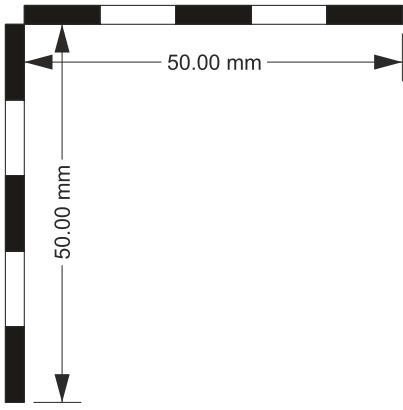
Lazy Lizard

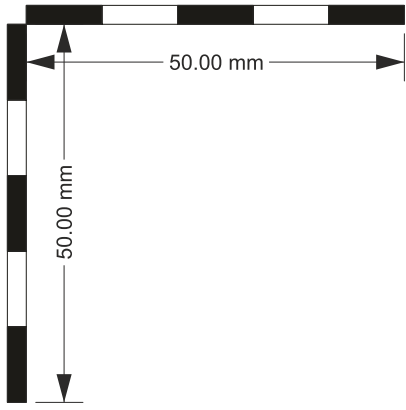
PATTERNS



Lazy Lizard

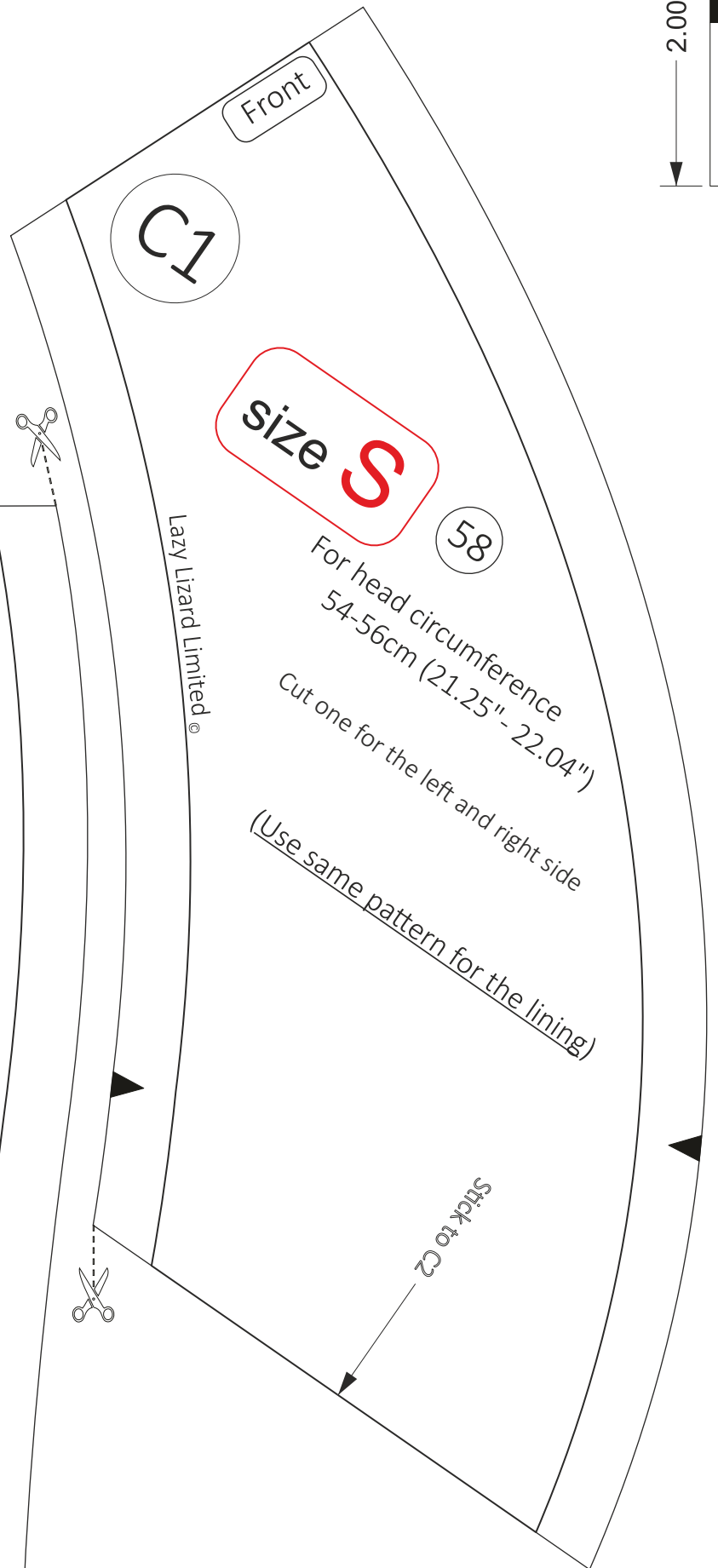
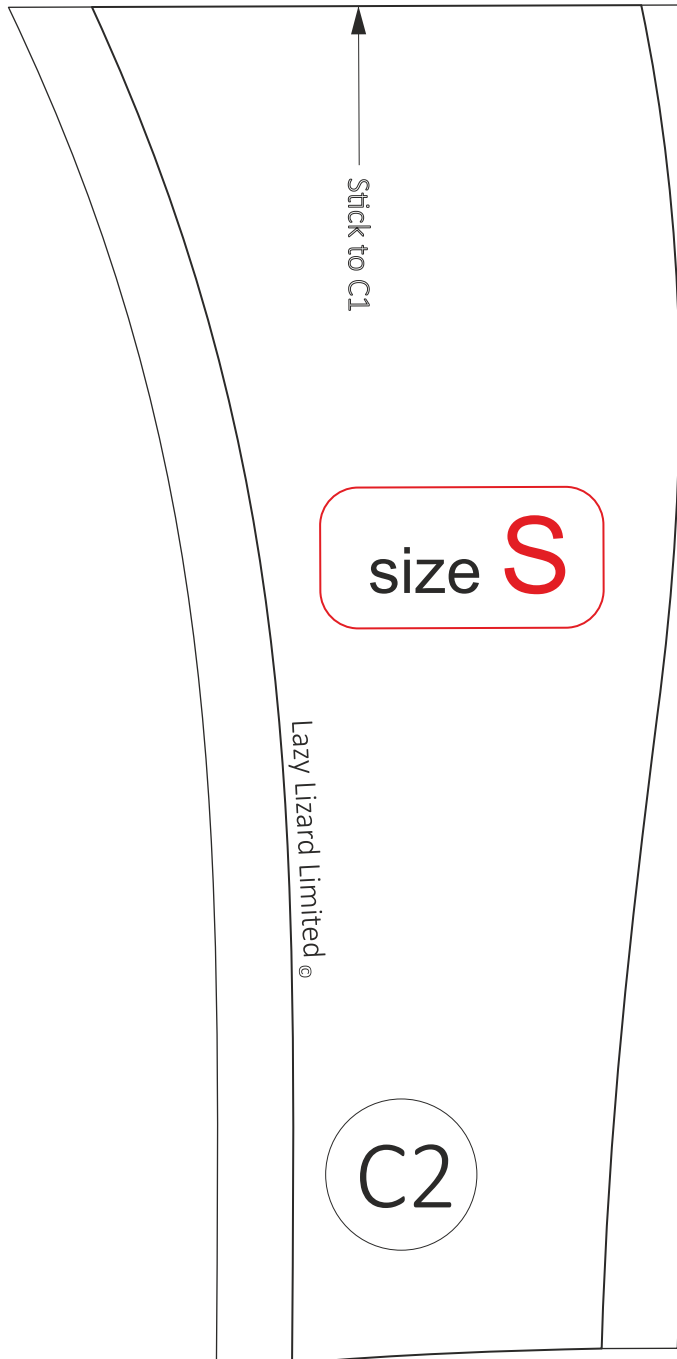
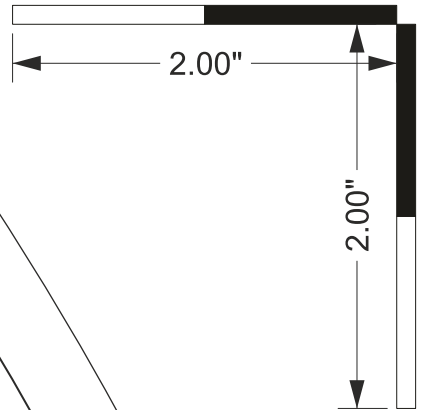
PATTERNS





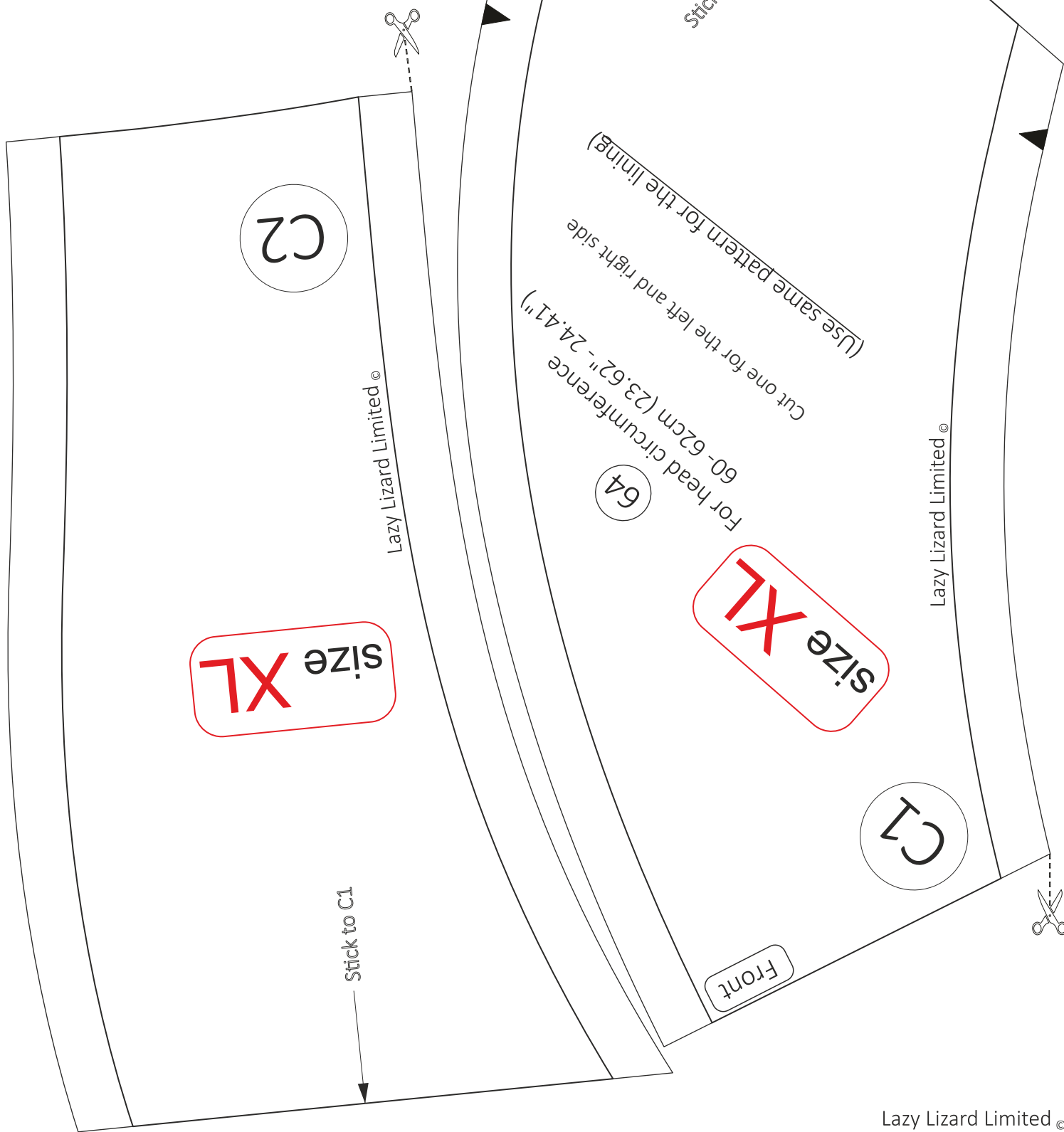
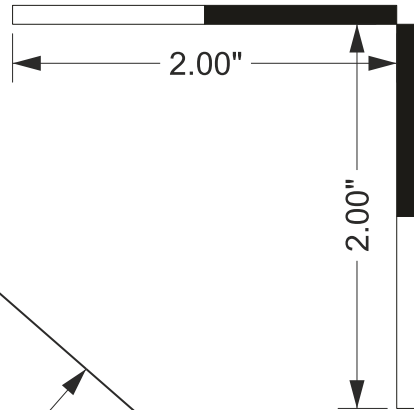
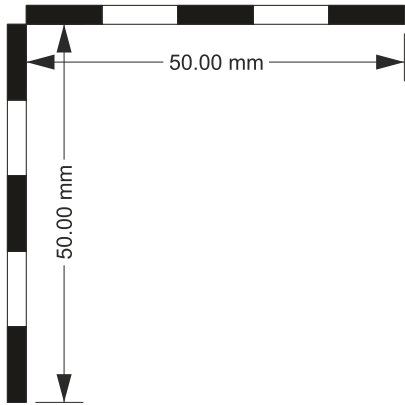
Lazy Lizard

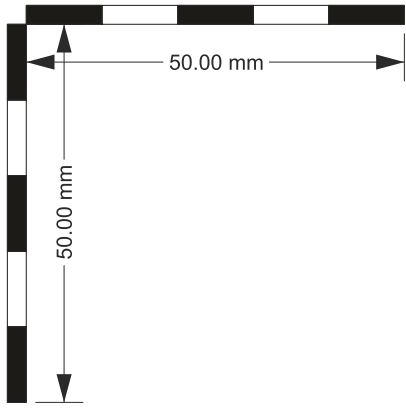
PATTERNS



Lazy Lizard

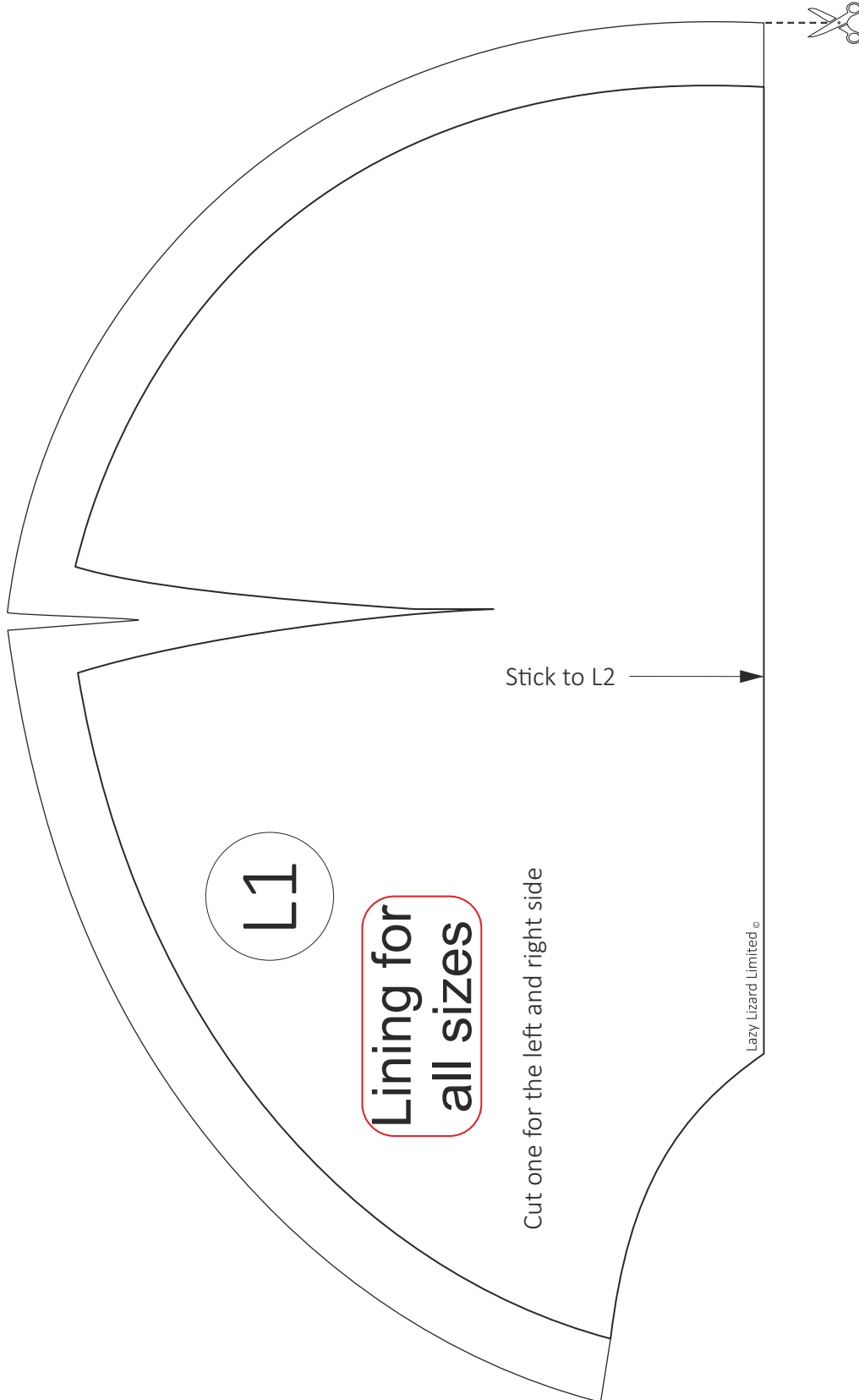
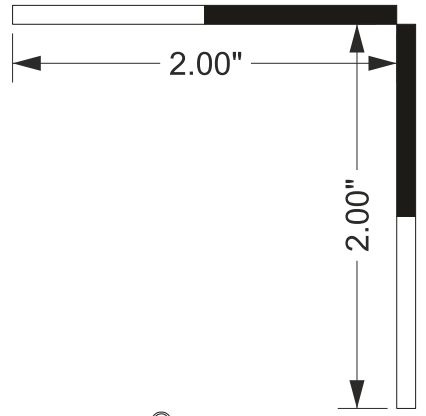
PATTERNS

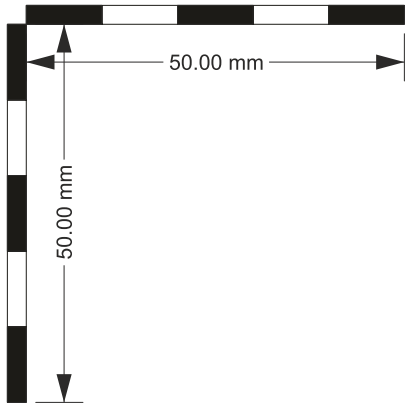




Lazy Lizard

PATTERNS





Lazy Lizard

PATTERNS

